



STARK & GREENSMITH

INSTALLATION GUIDE

Thank you for choosing one of our products.

We are really proud of what we do and we hope you enjoy having these screens in your life for many years to come.

This guide will help you to install our panels. Please either show it to your installer or, if you're planning to install them yourself, we recommend asking a friend to help.

STARK & GREENSMITH

EASY TO INSTALL

If you are installing yourself it's very straightforward, takes two people and installs the same way as a timber fence. This guide should make it much easier. If you want someone else to handle the install we have 200 registered installers around the UK.

Find the nearest one to you at:

www.starkandgreensmith.com/stockists-installers/installers/

PERFECT FIT

Our panels are designed to fit most spaces as you have the option of having the posts end-on (50mm wide) or sideways-on (100mm wide), which allows a bit of flexibility if you have a specific space they need to fit into. The clamps also have a degree of tolerance for where they grip the panel, giving you an extra few millimetres per clamp.

If you don't want to see the posts, you can front fix the panels by screwing straight into the posts, this also reduces the cost as you don't need any clamps.

LEVEL CHANGES

Our panels easily deal with level changes as the posts come in 2.4m lengths so you can step down most level changes panel-by-panel; the posts are not pre-drilled so you're not looking at a load of empty holes like the inside of a flat-pack wardrobe!

CORNERS

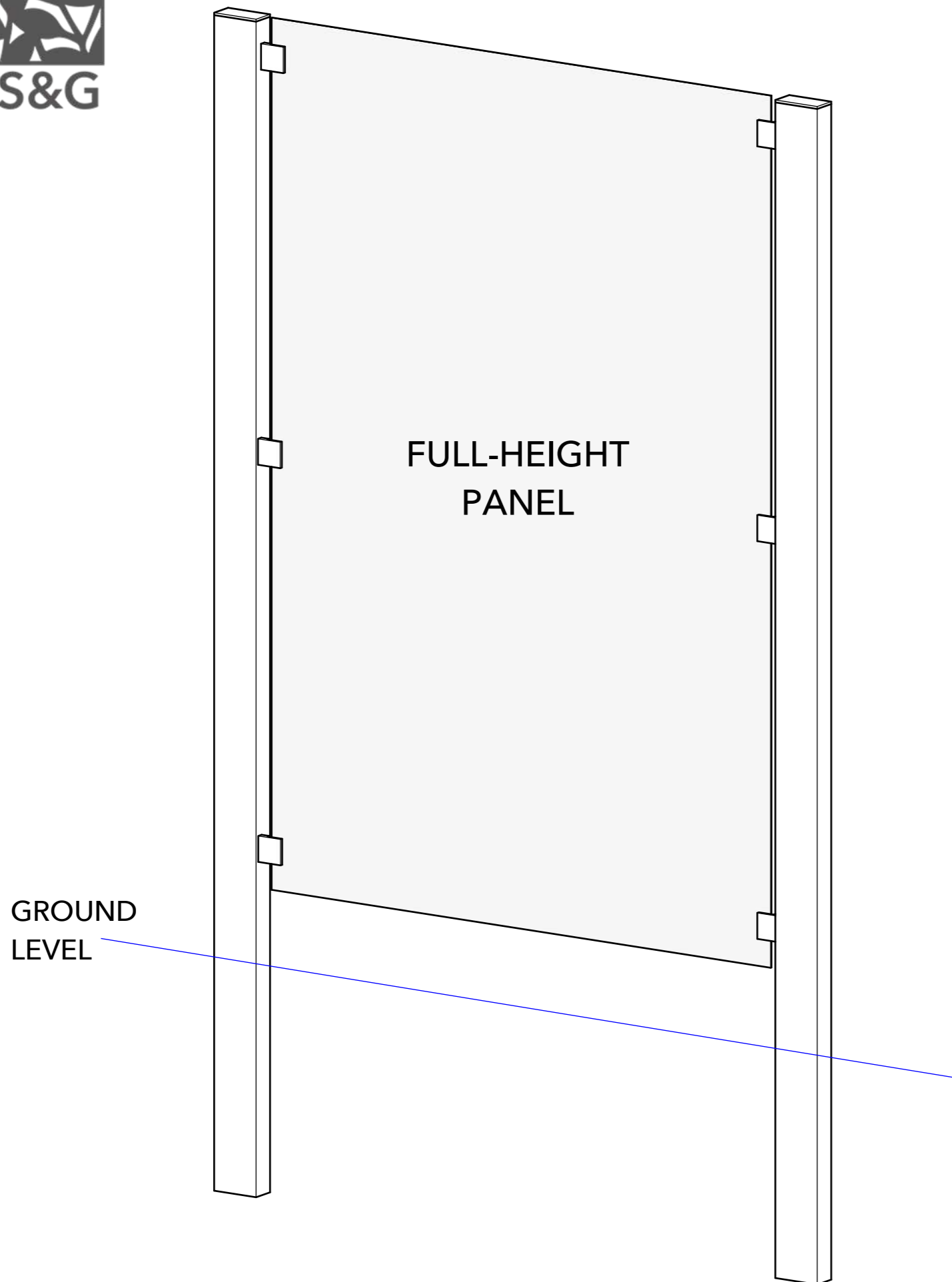
The rectangular shape of the posts means that you can easily manage right-angles by fixing to the other face as you go around a corner. In this instance we suggest you always continue the posts in the same orientation as the post at the corner.

SURFACE-FIXING

If you're securing to a timber deck or a terrace, rather than concreting into the ground, our Terrace Foot provides a solid and secure solution.

QUICK HACK

If you are installing Corten steel panels, and the standard panels fall short of the space you have, you can always use a blank panel and cut it down to fit the leftover space, clamped in the same way as the patterned panels - double-check with your installer but they should be able to do this.



FULL-HEIGHT PANEL: STEPS 1-5

COMPONENTS:

PANEL

1190mm (W) x 1780mm (H) x 3mm (D)

POST

100mm (W) x 50mm (D) x 2400mm (L)

CLAMP

External: 53mm (W) x 53mm (H) x 20mm (D)

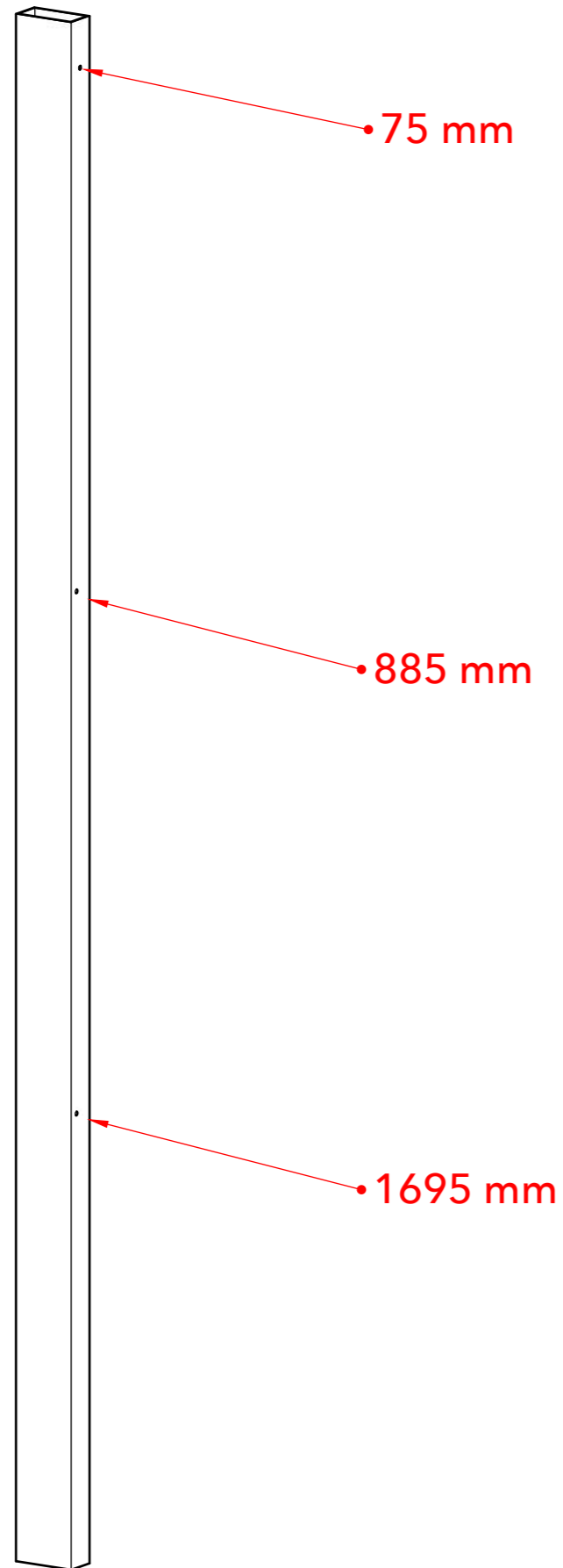
Internal void: 3mm (D) x 36mm (W)

END CAP

100mm (W) x 50mm (D) x 10mm (H)

TERRACE FEET (OPTIONAL)

200mm (W) x 205mm (H) x 100mm (D)



FULL-HEIGHT PANEL: STEPS 1-5

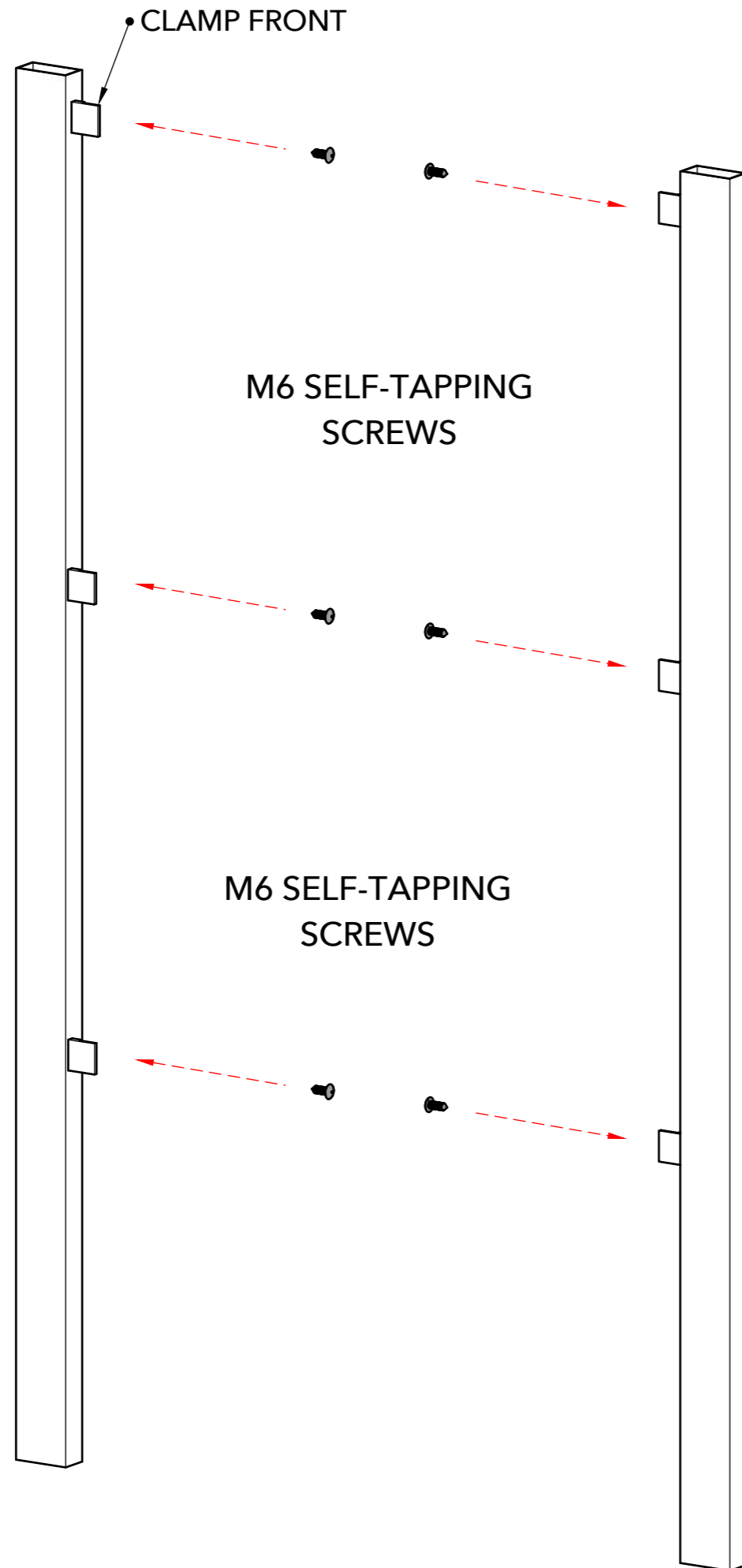
STEP 1: POSTS

Decide which way round you want to orientate your posts. (Nb. These instructions are based on posts being installed with the 100mm side facing front.)

Drill 3 x 5.5mm holes* into the inside face of each post at the intervals shown:

- 75mm from top of post
- 885mm from top of post
- 1695mm from top of post

*You might prefer to drill and tap threaded holes. This works too.

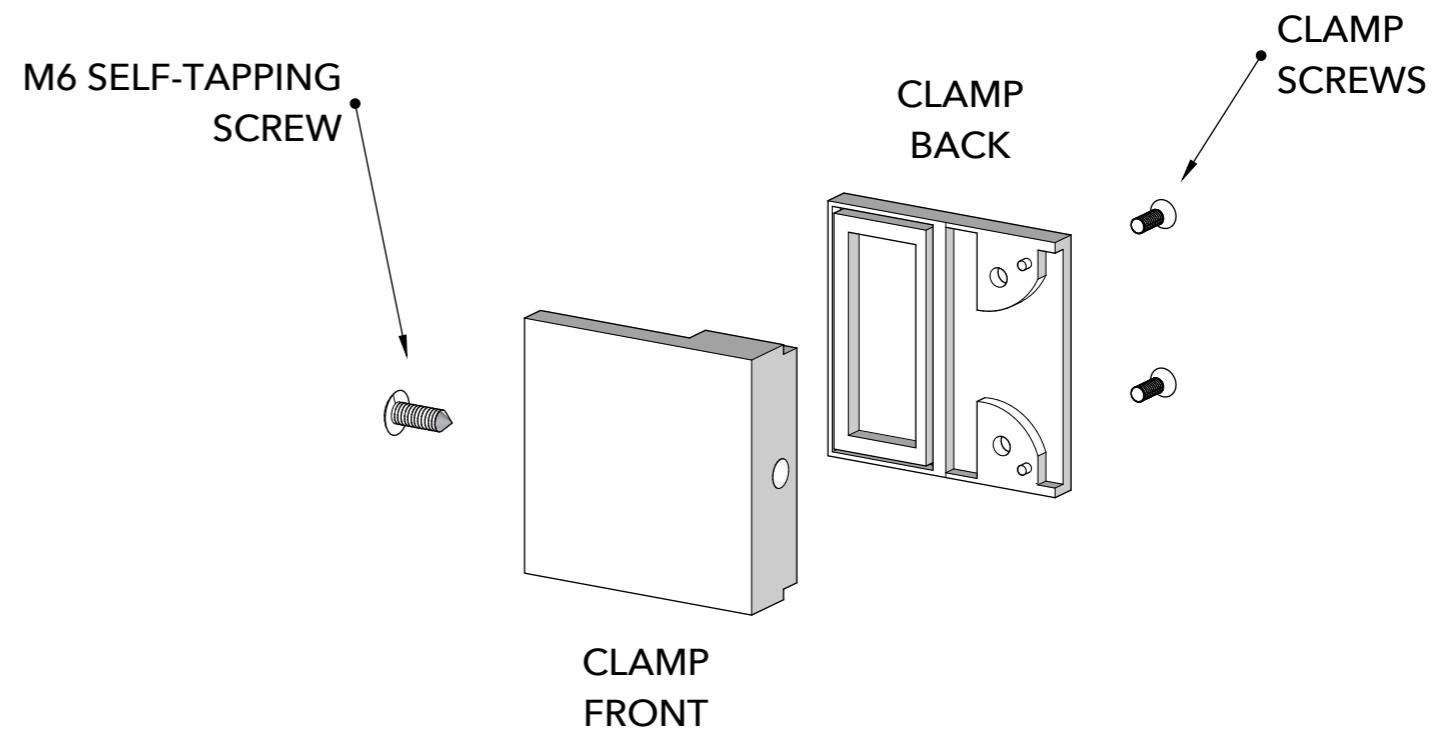


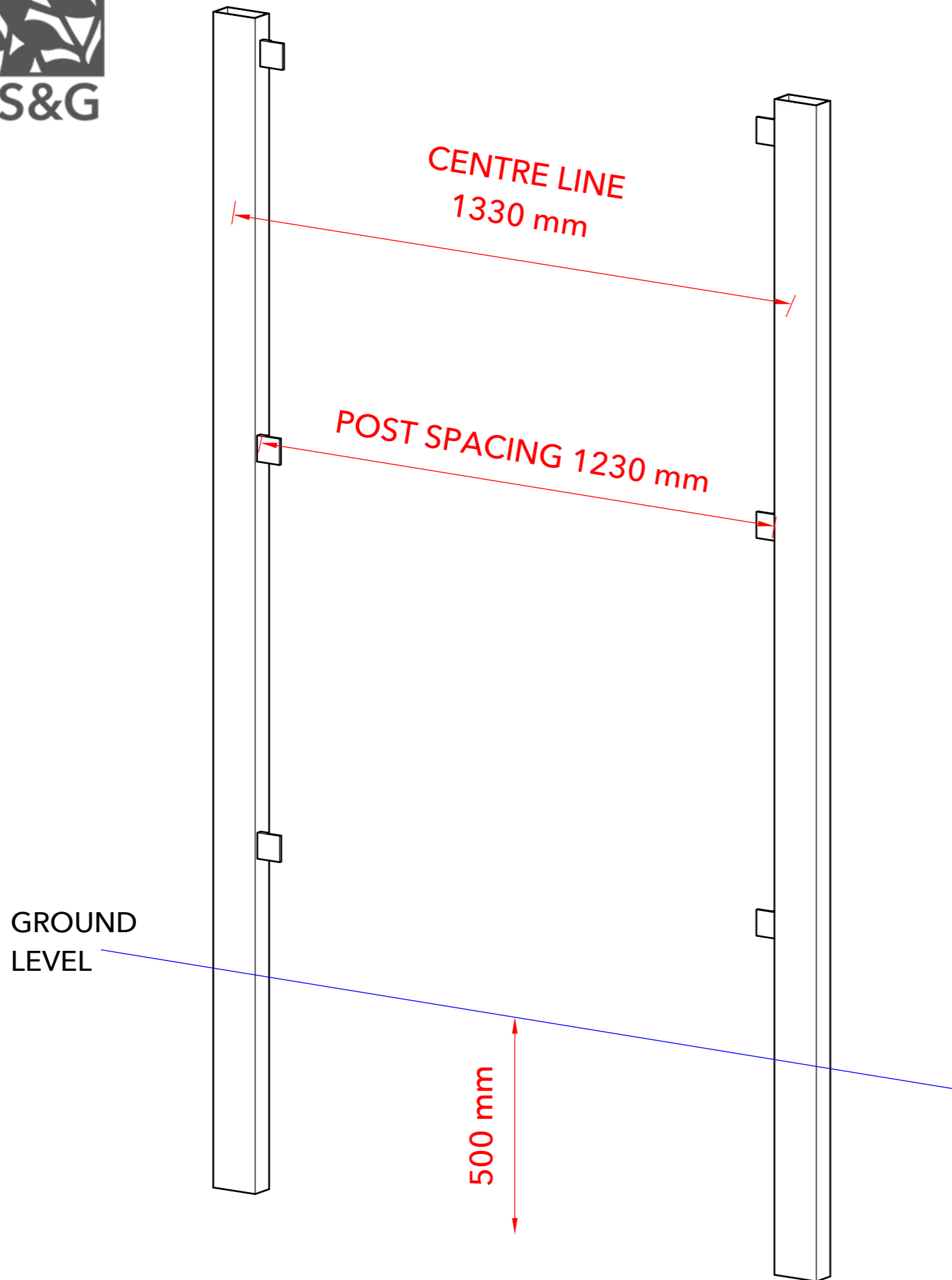
FULL-HEIGHT PANEL: STEPS 1-5

STEP 2: ATTACHING CLAMPS

Remove the backs of the clamps using the allen key (supplied) and separate from the front section.

Fix the front of the clamps to the post using the M6 self-tapping screws supplied.





FULL-HEIGHT PANEL: STEPS 1-5

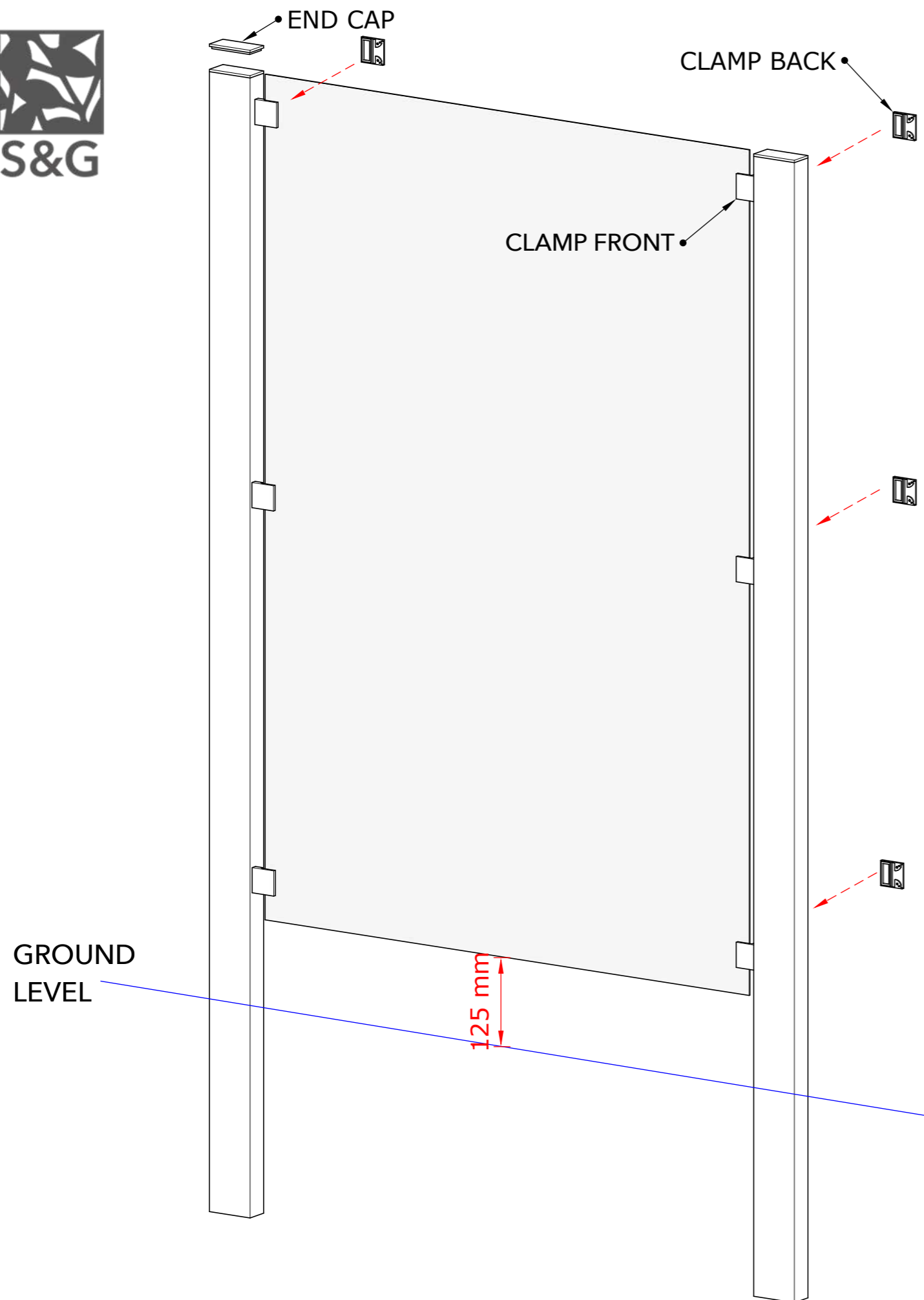
STEP 3: INSTALLING POSTS

Carefully measure your run of posts based on the dimensions set out below.

Dig holes and set the inside edges of posts 1230mm* apart (1330mm centre-to-centre of posts) at a depth of 500mm into the ground, using Postcrete or similar.

Check that the tops of all of the posts are level, this will ensure the clamp holes align correctly.

*These measurements allow for a 20mm gap each side between the post and the panel, which is the depth of the internal section of the clamp.



FULL-HEIGHT PANEL: STEPS 1-5

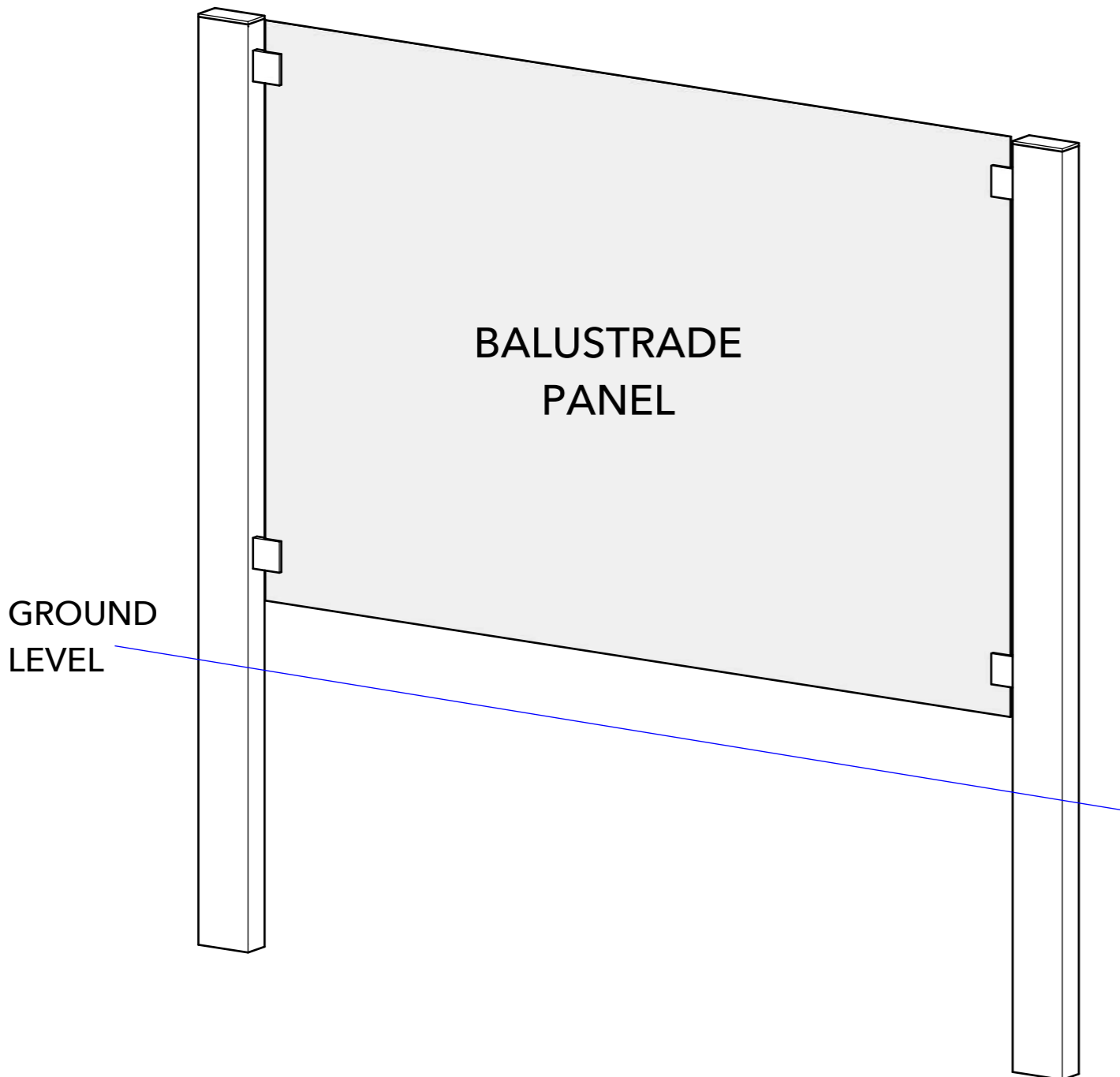
STEP 4: ATTACHING THE PANEL

Once you have your posts in place* put the end caps loosely on the posts (without gluing), as these will act as a levelling guide. Present the panel to the open back of the clamp so that the vertical edge of the panel sits neatly against the internal edge of the clamp. The top of the panel should be level with the top of the end cap** .

Starting with the top clamps, fix the back section of the clamp on using the allen key. Once installed you should end up with around 125mm between the base of the panel and ground level.

*You might prefer to install your run by putting in one post and positioning the panel next to it so that it acts as a template for your next post's location.

**Our panels are quite heavy, so it's a good idea to rest the panel on a temporary support while installing.



BALUSTRADE PANEL: STEPS 1a-4a & 5

COMPONENTS:

PANEL

1500mm (W) x 1000mm (H) x 3mm (D)

POST

100mm (W) x 50mm (D) x 2400mm (L)

CLAMP

External: 53mm (W) x 53mm (H) x 20mm (D)

Internal void: 3mm (D) x 36mm (W)

END CAP

100mm (W) x 50mm (D) x 10mm (H)

TERRACE FEET (OPTIONAL)

200mm (W) x 205mm (H) x 100mm (D)



BALUSTRADE PANEL: STEPS 1a-4a & 5

STEP 1a: POSTS

Decide which way round you want to orientate your posts. (Nb. These instructions are based on posts being installed with the 100mm side facing front.)

Cut down your posts to a length of 1600mm.

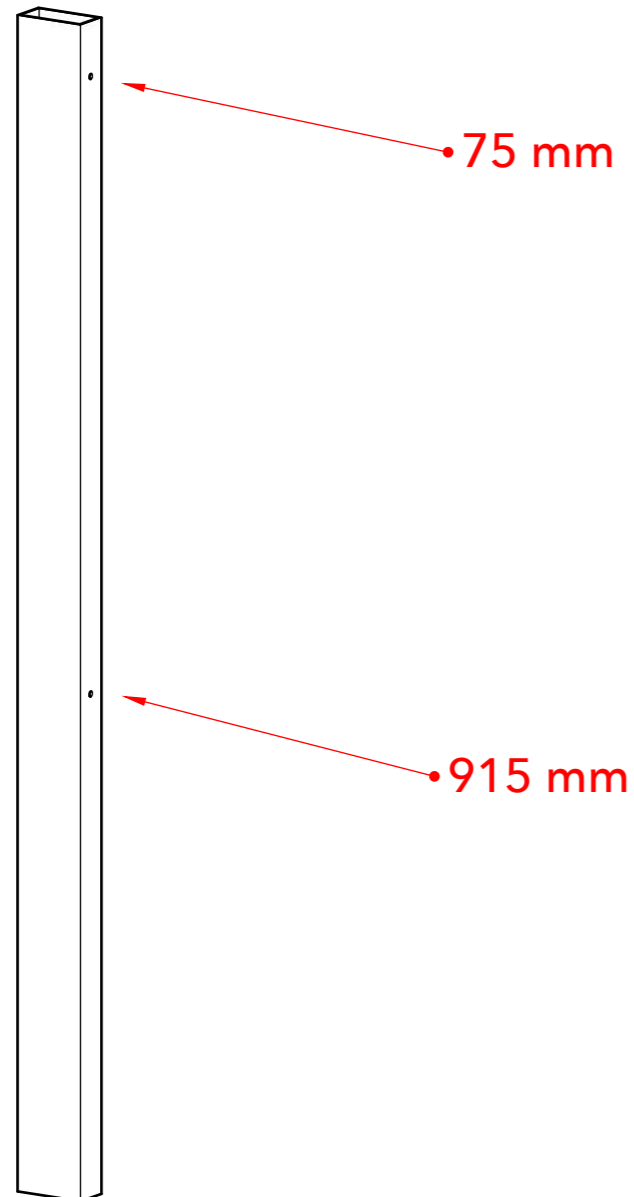
Drill 2 x 5.5mm holes* into the inside face of each post at the intervals shown**:

- 75mm from top of post
- 915mm from top of post

*You might prefer to drill and tap threaded holes. This works too.

**If surface-mounting using Terrace Feet, drill holes at positions set out below. This will ensure the self-tapping screw clears the top of the Terrace Foot sleeve:

- 110mm from top of post
- 880mm from top of post



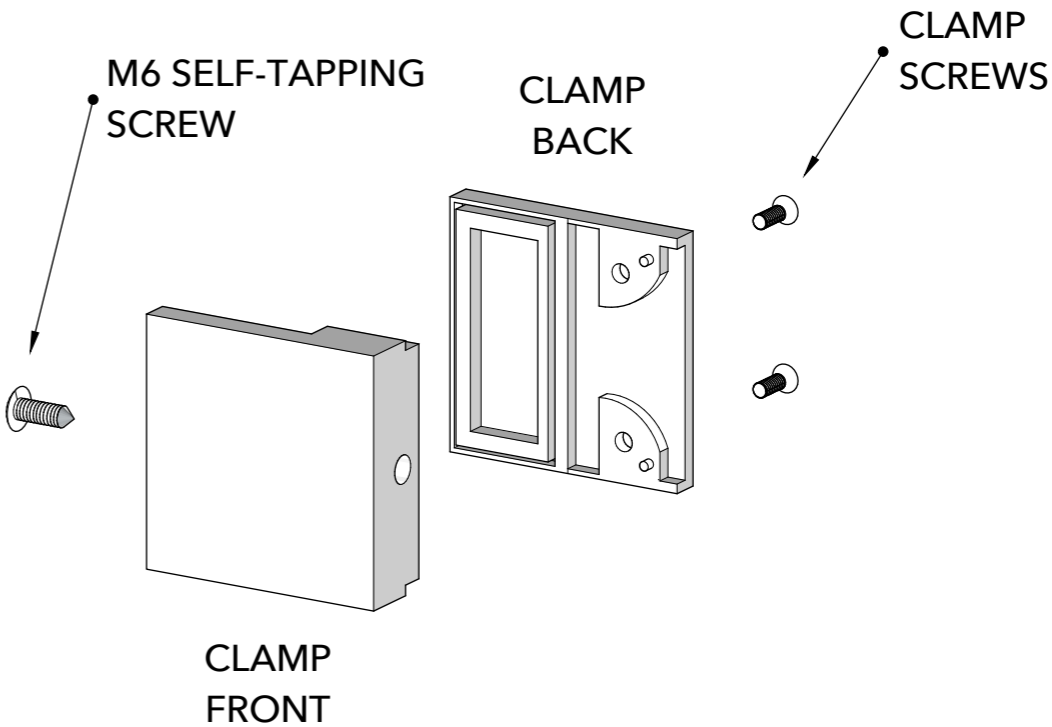
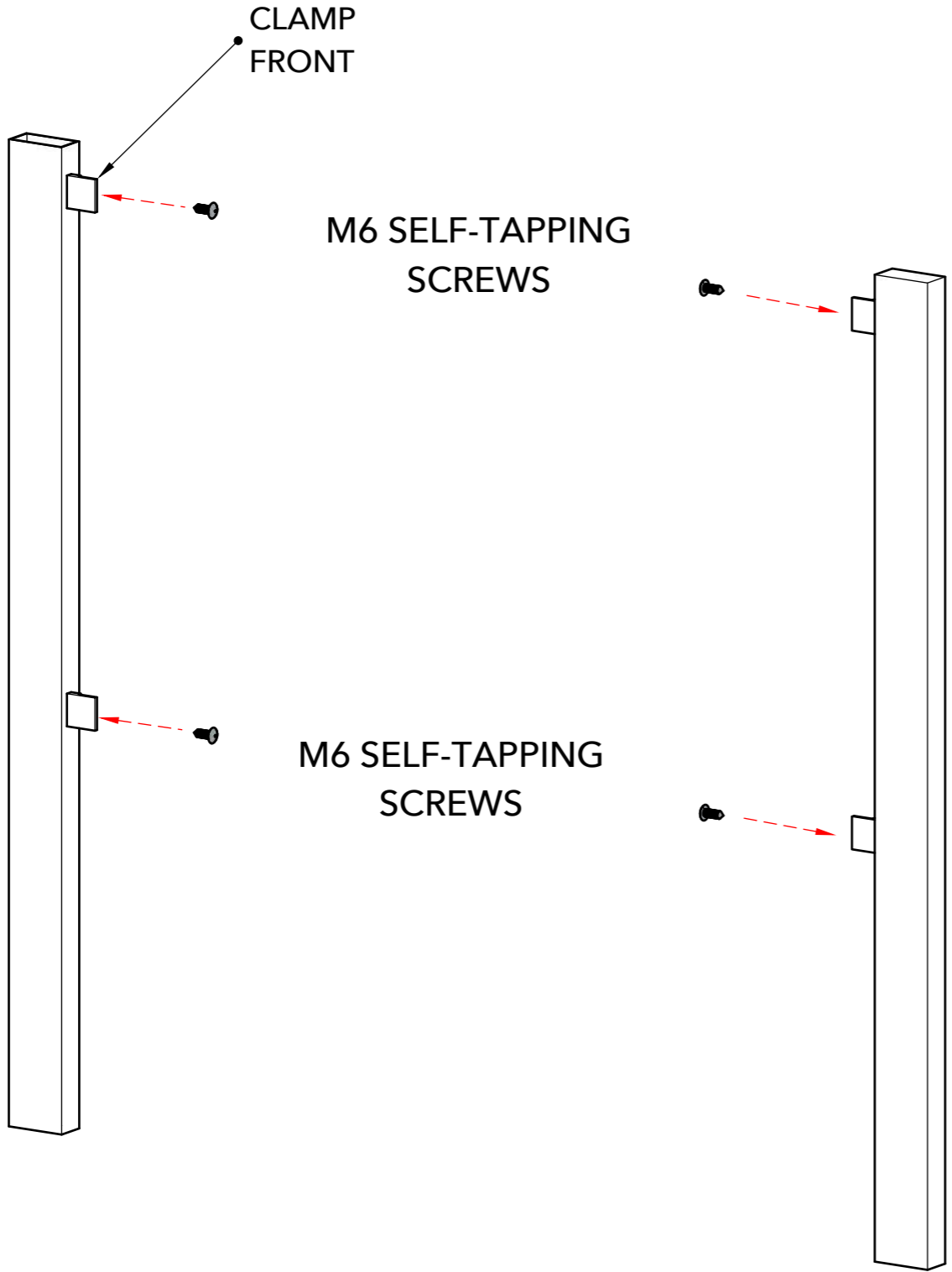


BALUSTRADE PANEL: STEPS 1a-4a & 5

STEP 2a: ATTACHING CLAMPS

Remove the backs of the clamps using the allen key (supplied) and separate from the front section.

Fix the front of the clamps to the post using the M6 self-tapping screws supplied.





BALUSTRADE PANEL: STEPS 1a-4a & 5

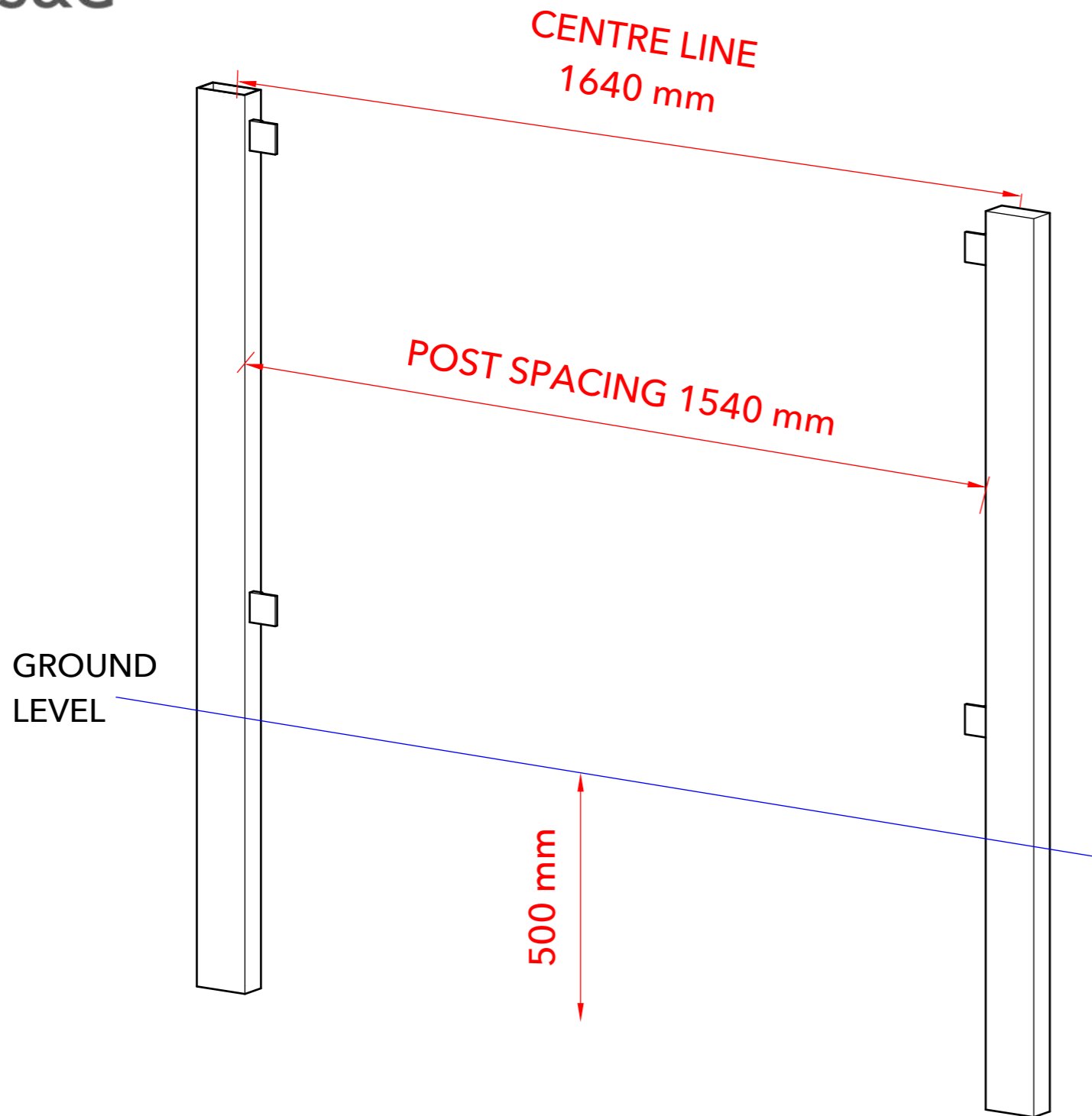
STEP 3a: INSTALLING POSTS

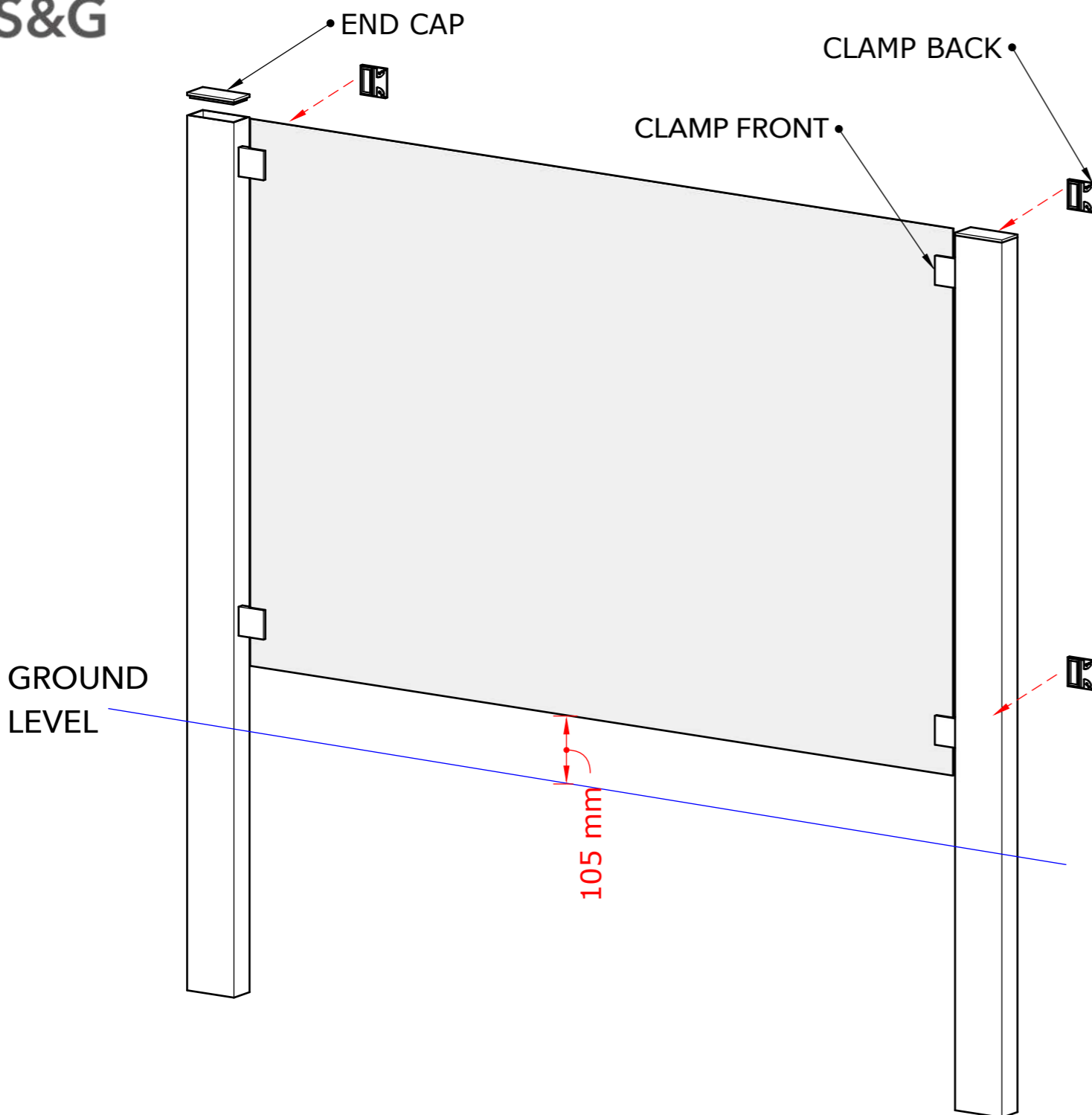
Carefully measure your run of posts based on the dimensions set out below.

Dig holes and set the inside edges of posts 1540mm* apart (1640mm centre-to-centre of posts) at a depth of 500mm into the ground, using Postcrete or similar.

Check that the tops of all of the posts are level, this will ensure the clamp holes align correctly.

*These measurements allow for a 20mm gap each side between the post and the panel, which is the depth of the internal section of the clamp.





BALUSTRADE PANEL: STEPS 1a-4a & 5

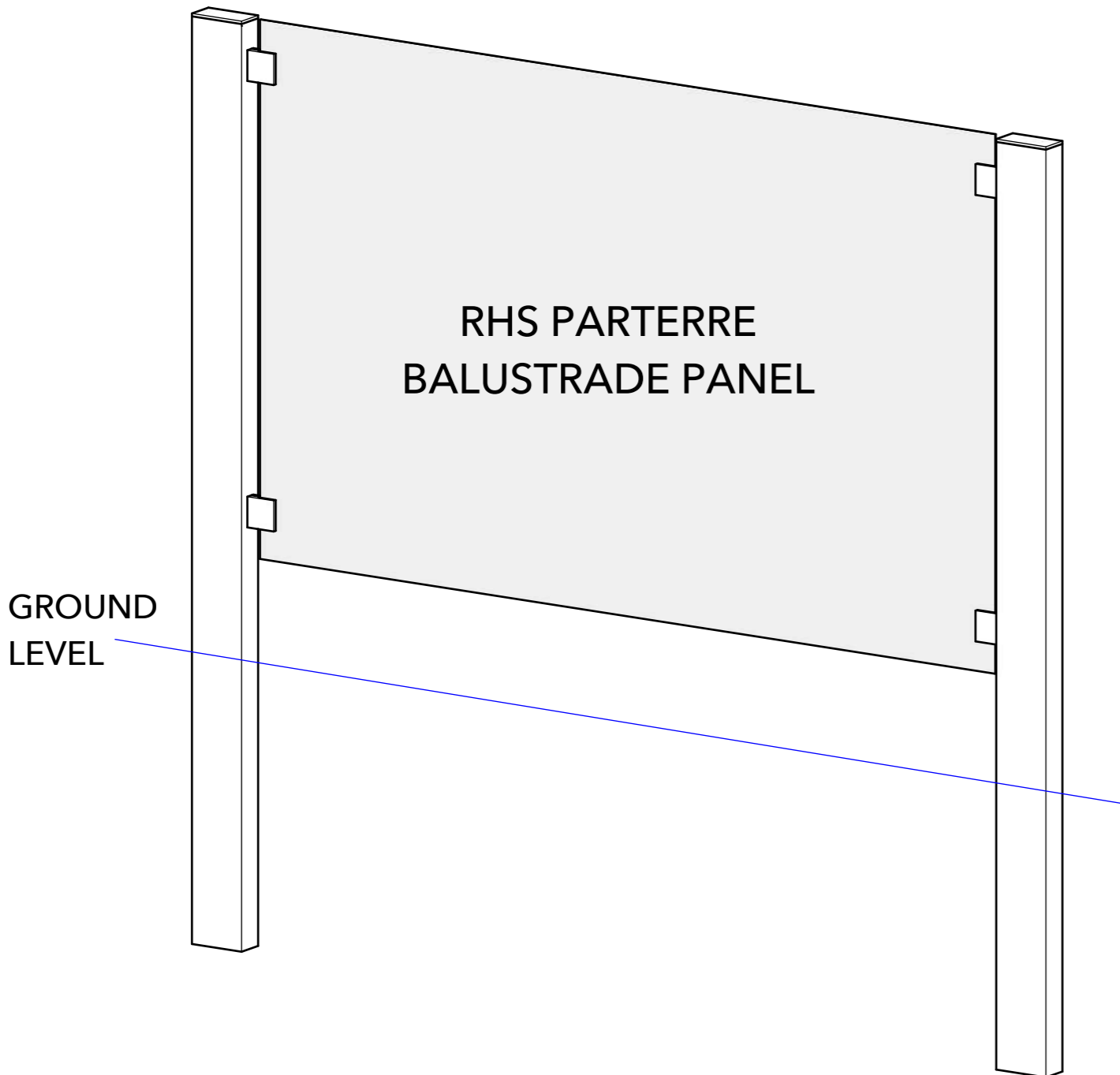
STEP 4a: ATTACHING THE PANEL

Once you have your posts in place* put the end caps loosely on the posts (without gluing), as these will act as a levelling guide. Present the panel to the open back of the clamp so that the vertical edge of the panel sits neatly against the internal edge of the clamp. The top of the panel should be level with the top of the end cap**.

Starting with the top clamps, fix the back section of the clamp on using the allen key. Once installed you should end up with around 105mm between the base of the panel and ground level.

*You might prefer to install your run by putting in one post and positioning the panel next to it so that it acts as a template for your next post's location.

**Our panels are quite heavy, so it's a good idea to rest the panel on a temporary support while installing.



**RHS PARTERRE BALUSTRADE PANEL:
STEPS 1b-4b & 5**

COMPONENTS:

PANEL

1480mm (W) x 930mm (H) x 3mm (D)

POST

100mm (W) x 50mm (D) x 2400mm (L)

CLAMP

External: 53mm (W) x 53mm (H) x 20mm (D)

Internal void: 3mm (D) x 36mm (W)

END CAP

100mm (W) x 50mm (D) x 10mm (H)

TERRACE FEET (OPTIONAL)

200mm (W) x 205mm (H) x 100mm (D)



**RHS PARTERRE BALUSTRADE PANEL:
STEPS 1b-4b & 5**

STEP 1b: POSTS

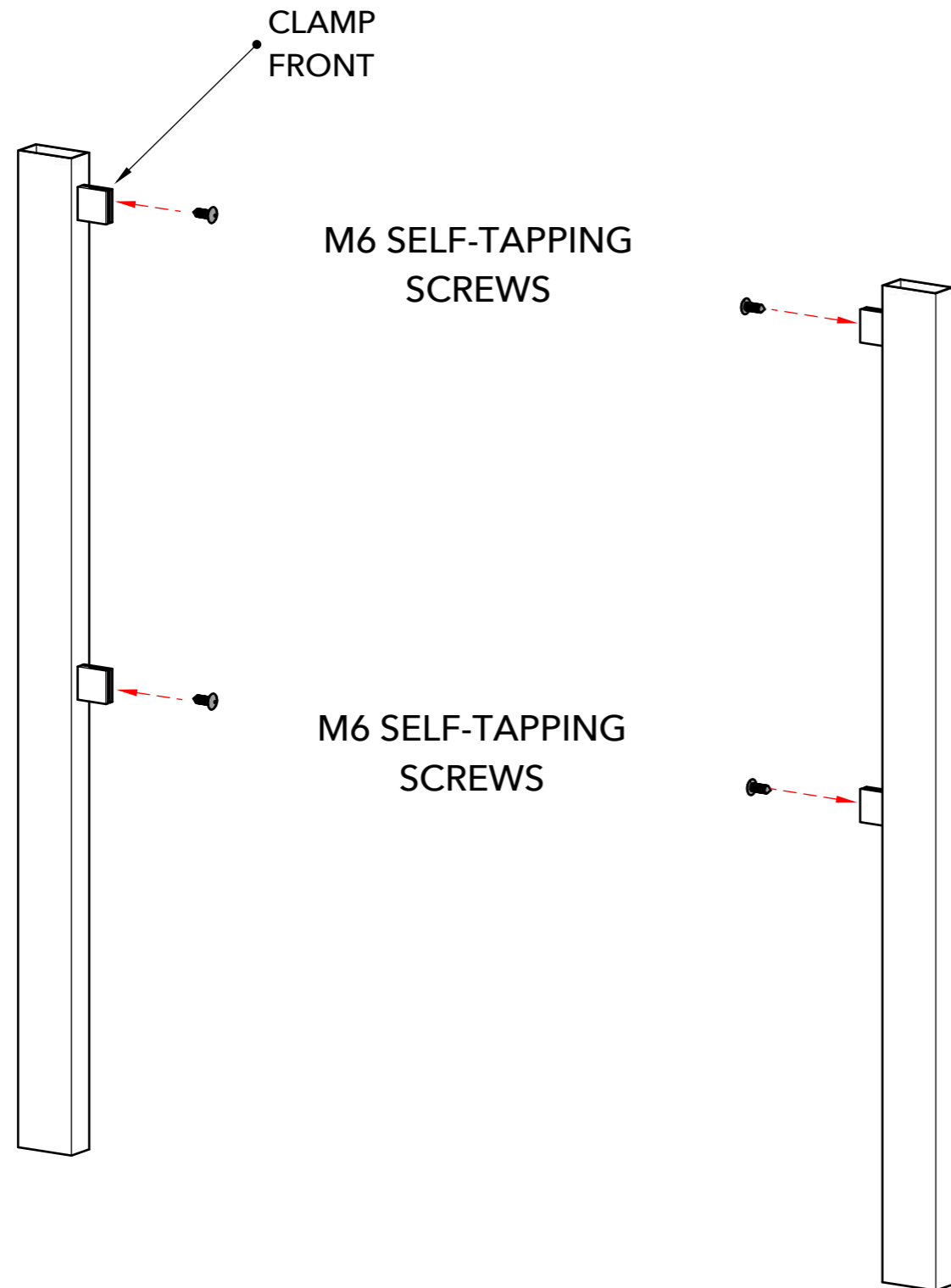
Decide which way round you want to orientate your posts. (Nb. These instructions are based on posts being installed with the 100mm side facing front.)

Cut down your posts to a length of 1600mm.

Drill 2 x 5.5mm holes into the inside face of each post at the intervals shown:

- 75mm from top of post
- 845mm from top of post

*You might prefer to drill and tap threaded holes. This works too.

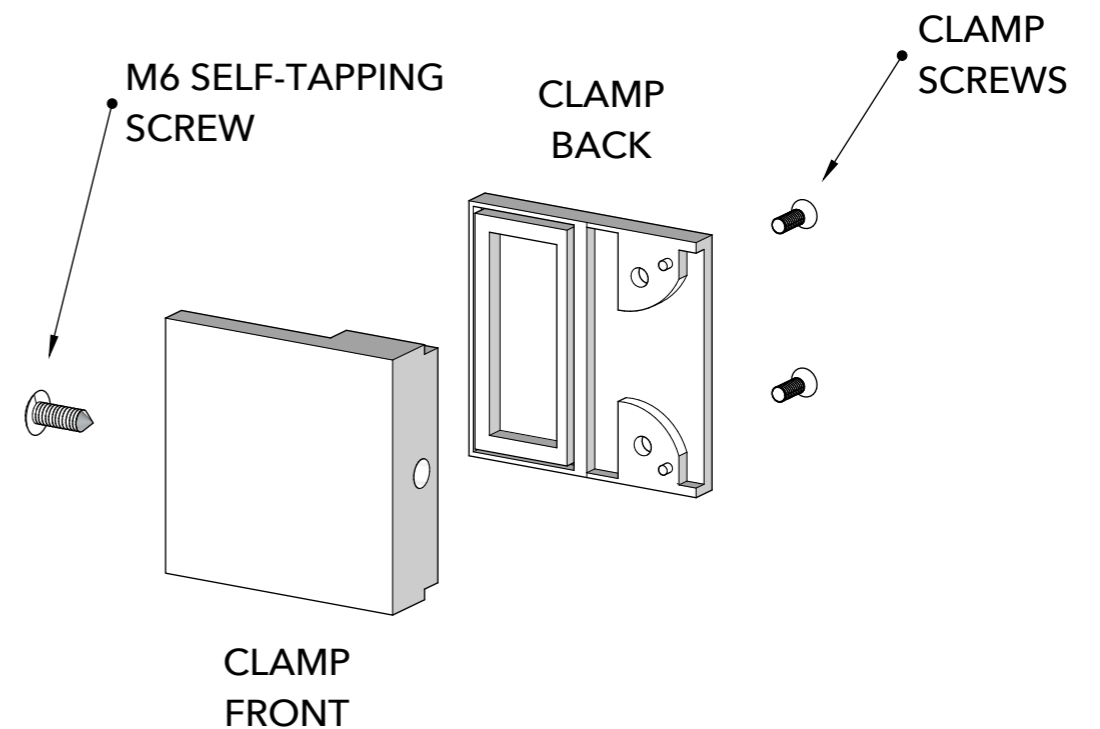


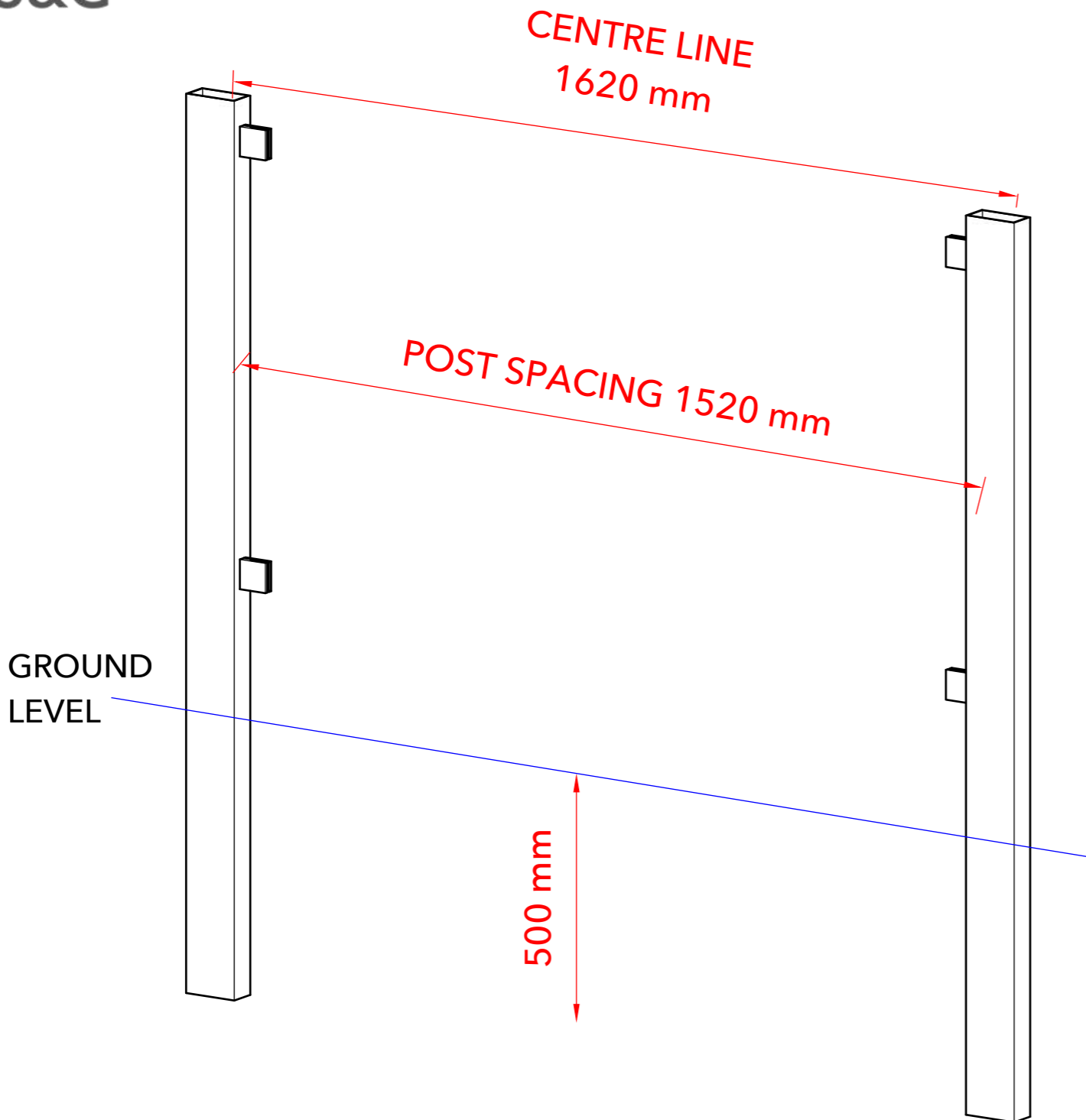
**RHS PARTERRE BALUSTRADE PANEL:
STEPS 1b-4b & 5**

STEP 2b: ATTACHING CLAMPS

Remove the backs of the clamps using the allen key (supplied) and separate from the front section.

Fix the front of the clamps to the post using the M6 self-tapping screws supplied.





**RHS PARTERRE BALUSTRADE PANEL:
STEPS 1b-4b & 5**

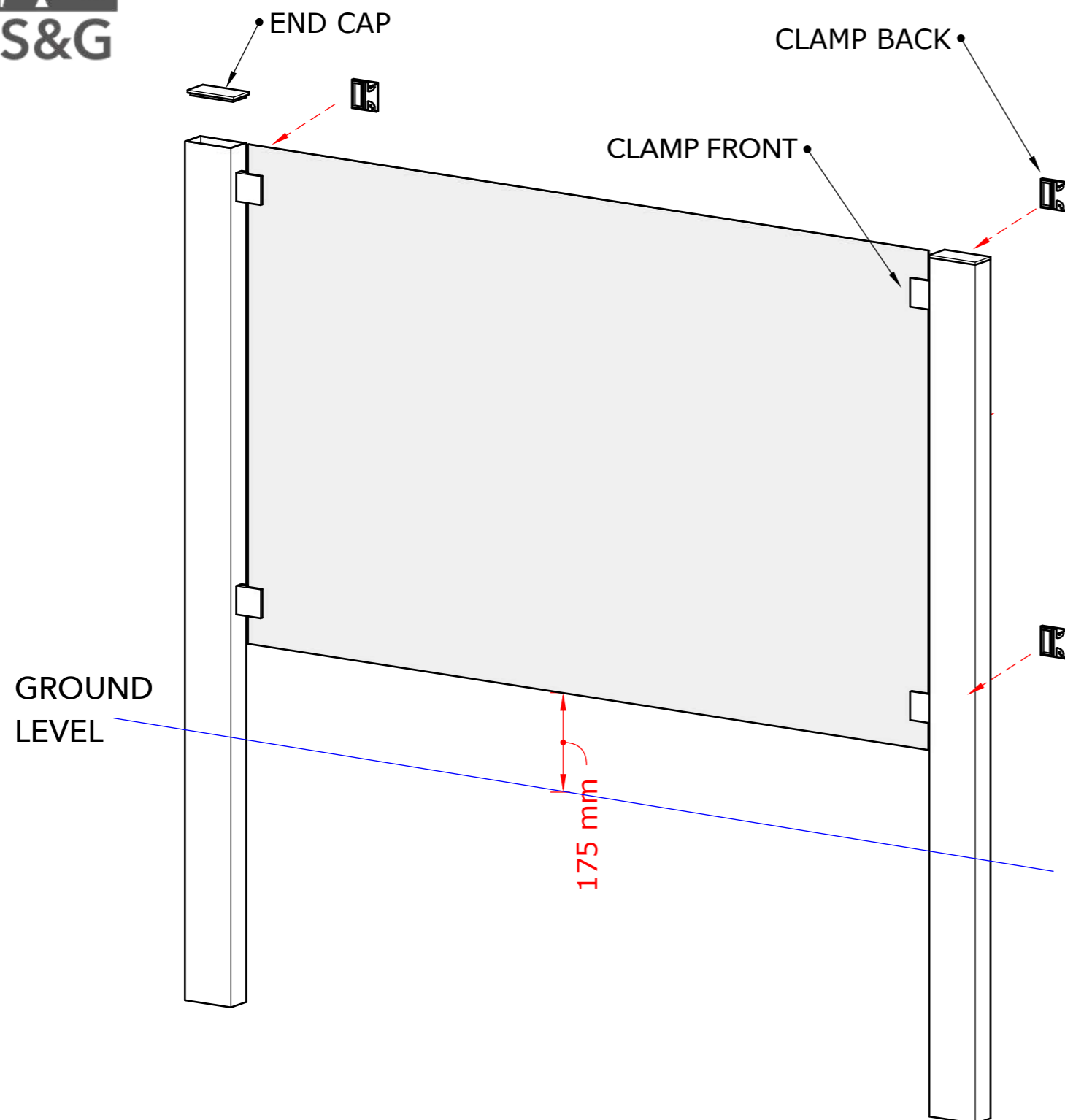
STEP 3b: INSTALLING POSTS

Carefully measure your run of posts based on the dimensions set out below.

Dig holes and set the inside edges of posts 1520mm* apart (1620mm centre-to-centre of posts) at a depth of 500mm into the ground, using Postcrete or similar.

Check that the tops of all of the posts are level, this will ensure the clamp holes align correctly.

*These measurements allow for a 20mm gap each side between the post and the panel, which is the depth of the internal section of the clamp.



RHS PARTERRE BALUSTRADE PANEL: STEPS 1b-4b & 5

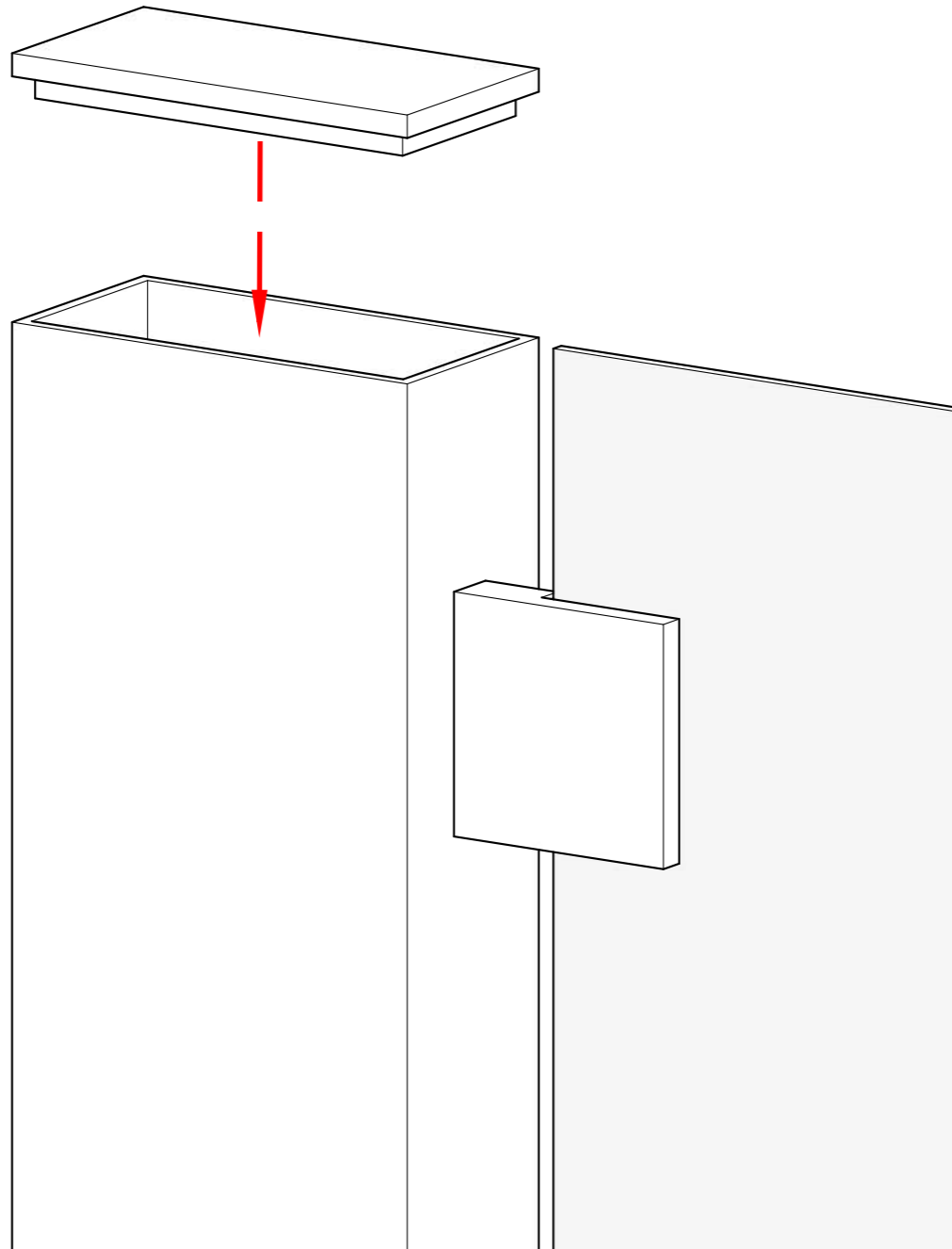
STEP 4b: ATTACHING THE PANEL

Once you have your posts in place* put the end caps loosely on the posts (without gluing), as these will act as a levelling guide. Present the panel to the open back of the clamp so that the vertical edge of the panel sits neatly against the internal edge of the clamp. The top of the panel should be level with the top of the end cap**.

Starting with the top clamps, fix the back section of the clamp on using the allen key. Once installed you should end up with around 175mm between the base of the panel and ground level.

*You might prefer to install your run by putting in one post and positioning the panel next to it so that it acts as a template for your next post's location.

**Our panels are quite heavy, so it's a good idea to rest the panel on a temporary support while installing.

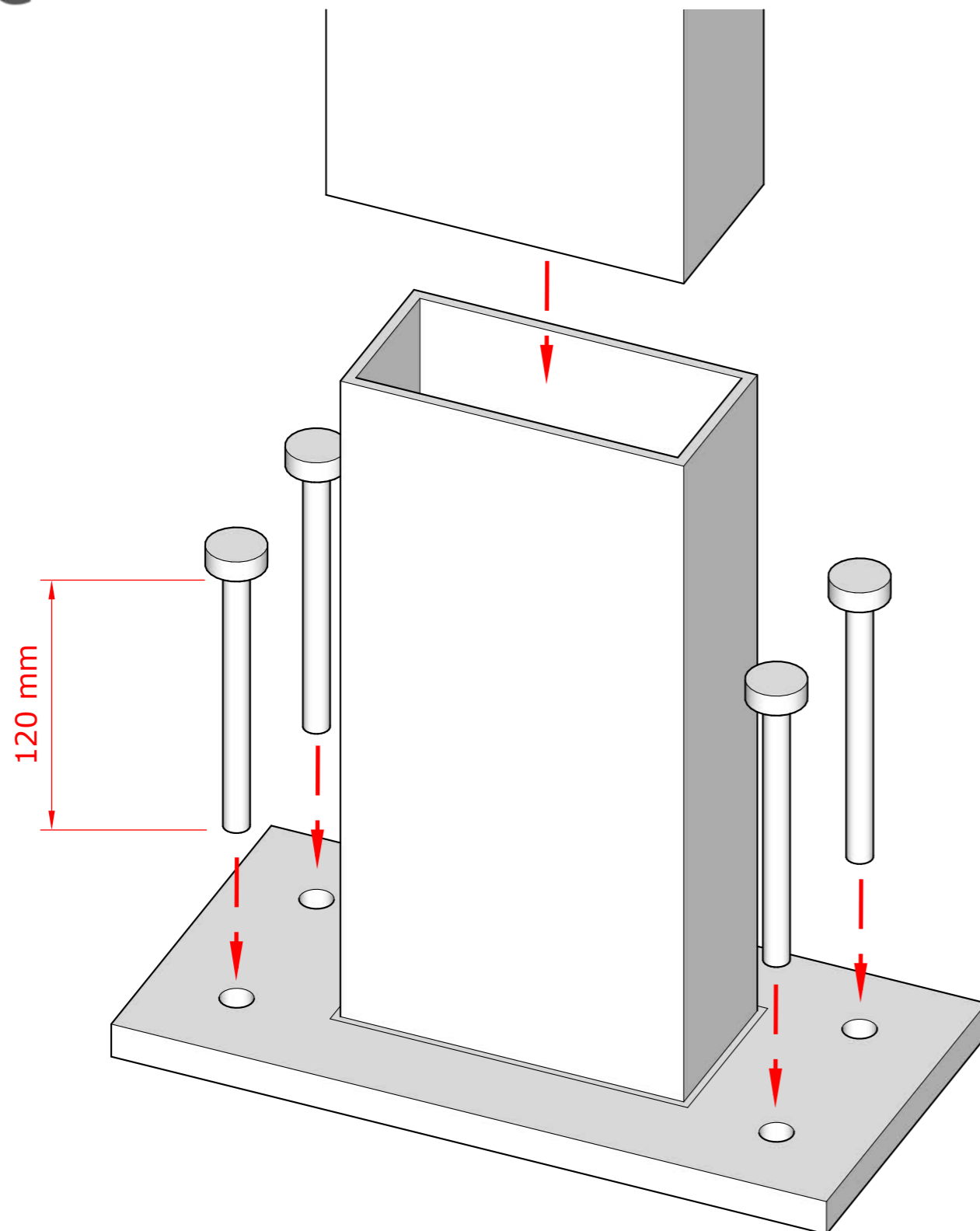


ALL PANELS

STEP 5: END CAPS

The end caps are designed to sit neatly on the posts.

We recommend gluing them in place to ensure a watertight fit.



ALL PANELS (OPTIONAL)

STEP 6: TERRACE FEET (SURFACE-MOUNTING)

If surface-mounting on paving, stone, concrete or similar*, we recommend using Terrace Feet.

For Full-Height panels trim 500mm off each post (to leave 1900mm). For Balustrade panels cut the 2400mm post in half and then trim 100mm off each half section (to leave 1100mm). Use the 'machine-cut' ends for the top of your posts as these will be most visible.

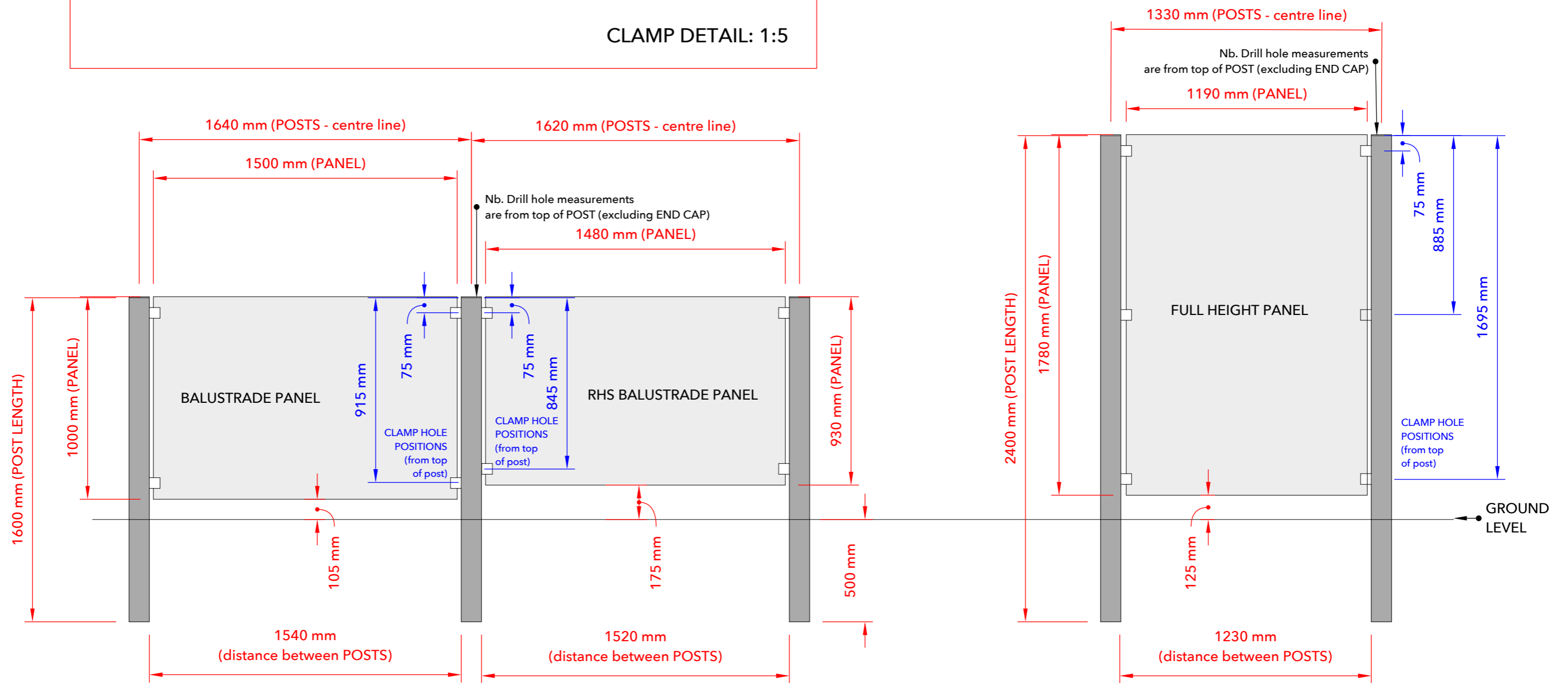
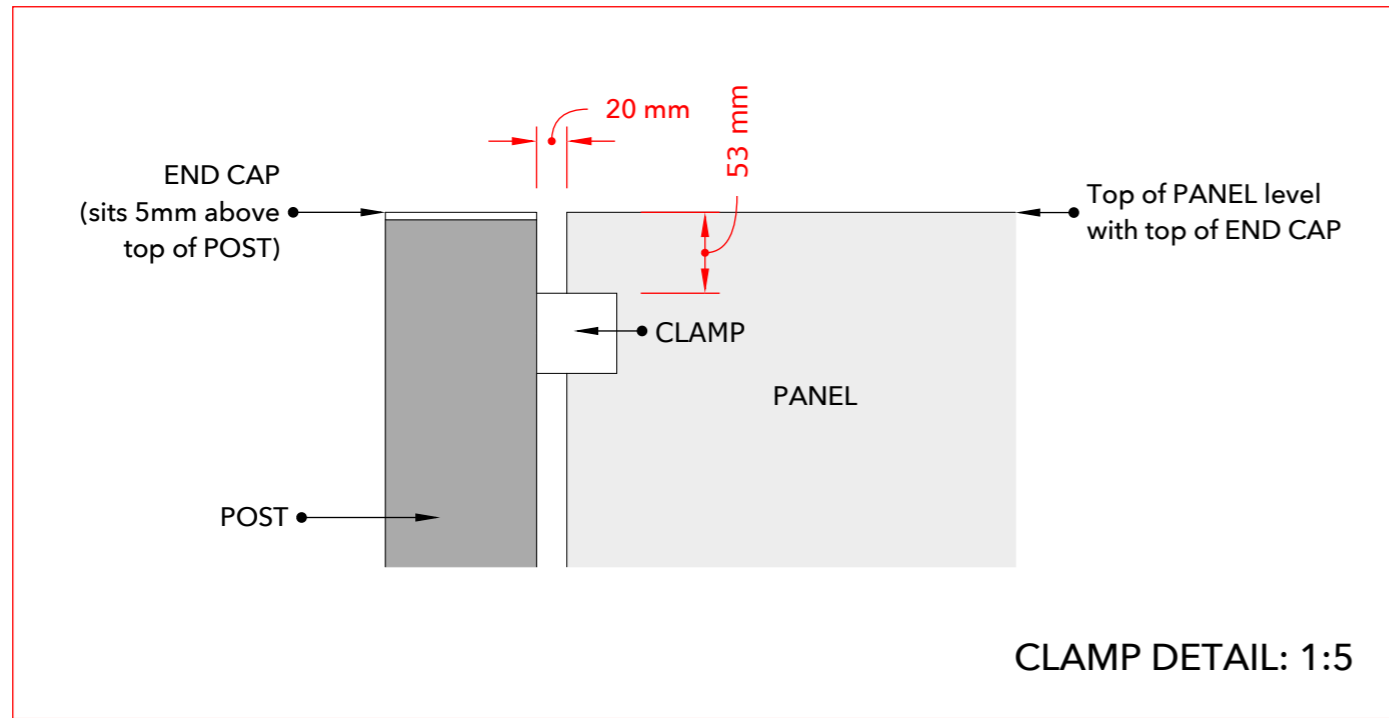
Fix Terrace Feet to surface using M12 bolts (not supplied). Choose a bolt length to suit your fixing surface, we recommend a minimum of 120mm.

Sleeve post over foot. If required, drill and tap post and sleeve using an M6 machine bolt (not supplied).

Nb. Be precise with your measurements as this assembly allows for a 5mm gap between the top of the sleeve and the lower clamp fixing point.

*For decking, please consult your decking installer and ensure you fix to frame substrate below.

IN-GROUND INSTALLATION MEASUREMENTS



SURFACE-MOUNTED INSTALLATION MEASUREMENTS

